



DOCKPLATE & DOCKBOARD SELECTION GUIDE

LENGTH

To determine the proper length of a dock plate or dockboard, two items are required:

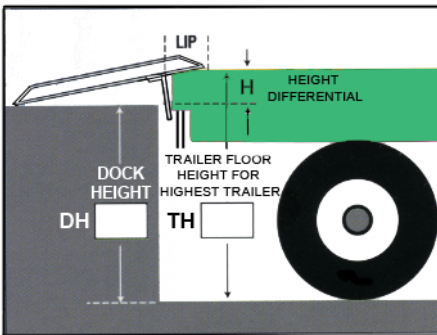
The Height Differential

Type of Loading Equipment being used

HEIGHT DIFFERENTIAL

Height of the highest trailer (TH) minus the dock height (DH) equals the height differential (H).

$$TH \text{ _____ } - DH \text{ _____ } = H \text{ _____ }$$

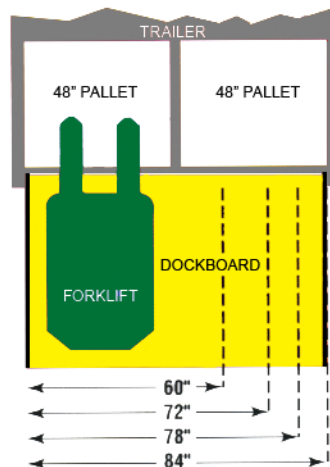


DOCKPLATES	
HEIGHT DIFFERENTIAL	LENGTH REQUIRED
2"	24
3"	30
3.5"	36
4"	42
5"	48
7"	60

DOCKBOARDS		
HEIGHT DIFFERENTIAL FOR ELECTRIC FORKLIFTS	HEIGHT DIFFERENTIAL FOR PROPANE & GAS FORKLIFTS	LENGTH REQUIRED
3.5"	5"	36
4"	6"	42
5"	7"	48
6"	8"	54
7"	9"	60
8.5"	12"	72
9"	13"	78
10"	14"	84
10.5"	14.5"	90
11"	15"	96

WIDTH

We recommend a dockboard or dockplate width of at least 12" wider than the overall width of the equipment or pallet used. Wider boards or plates increase maneuverability.



CAPACITY

Dockplates: WEIGHT of maximum load and equipment = MINIMUM capacity required.

Dockboards (with curbs): CAPACITY of the highest capacity vehicle to be used X 3 = MINIMUM capacity required.

For 3 wheel forklifts, Koke Inc recommends ONLY steel dockboards