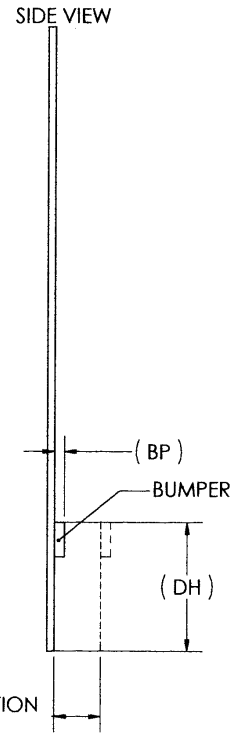
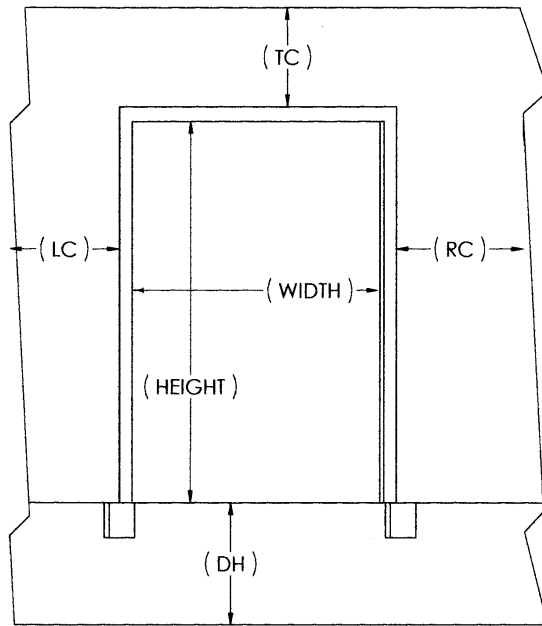




# DOOR SEAL / DOCK SHELTER SPECIFICATIONS



HEIGHT OF DOOR (H): \_\_\_\_\_

CLEARANCE ABOVE DOOR (TC): \_\_\_\_\_

WIDTH OF DOOR (W): \_\_\_\_\_

CLEARANCE - LEFT OF DOOR (LC): \_\_\_\_\_

DOCK HEIGHT (DH): \_\_\_\_\_

CLEARANCE - RIGHT OF DOOR (RC): \_\_\_\_\_

DOCK PROJECTION (IF ANY)(DP): \_\_\_\_\_

APPROX NUMBER OF TRUCKS PER DAY: \_\_\_\_\_

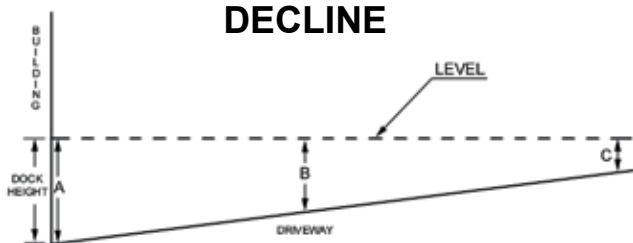
BUMPER PROJECTION (BP): \_\_\_\_\_

APPROACH IS: LEVEL - INCLINED\* - DECLINED\*  
(CIRCLE ONE)

\*IF INCLINED OR DECLINED, FILL OUT INFORMATION BELOW.

A(0FT)= \_\_\_\_\_ B(20FT)= \_\_\_\_\_ C(40FT)= \_\_\_\_\_

## DECLINE



A(0FT)= \_\_\_\_\_ B(20FT)= \_\_\_\_\_ C(40FT)= \_\_\_\_\_

## INCLINE

