

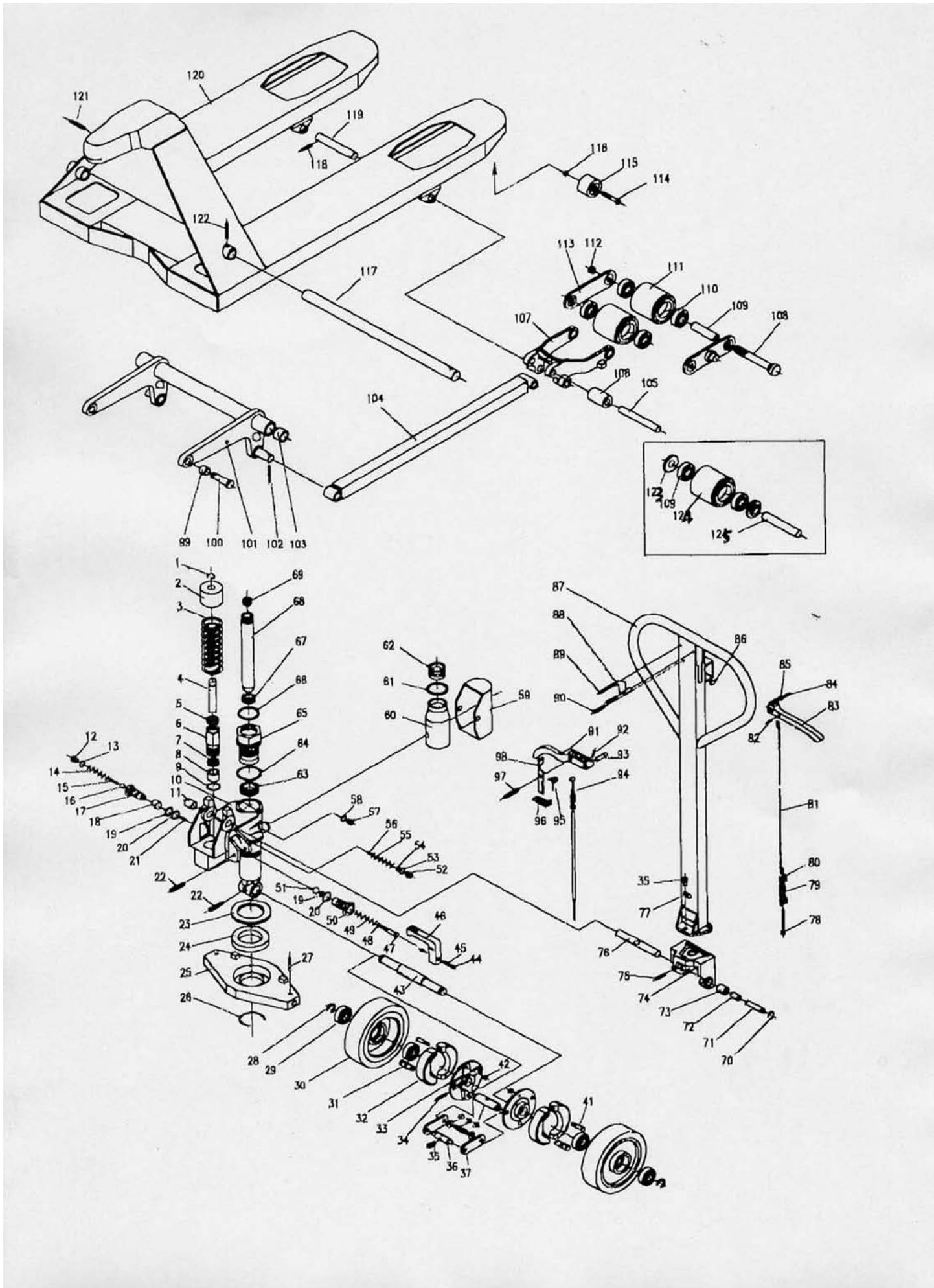


Brake Truck Parts Listing

PART LISTS

PART NO.	DESCRIPTION	QTY	PART NO.	DESCRIPTION	QTY
BR 1	SNAP RING	1	BR 64	O-RING	1
BR 2	SPRING CAP	1	BR 65	HYDRAULIC CYLINDER	1
BR 3	SPRING	1	BR 66	O-RING	1
BR 4	PUMP PISTON	1	BR 67	DUST SEAL	1
BR 5	DUST SEAL	1	BR 68	PISTON	1
BR 6	PUMP CYLINDER	1	BR 69	STEEL BALL	1
BR 7	Y-RING	1	BR 70	SNAP RING	1
BR 8	NYLON SLEEVE	1	BR 71	ROLLER PIN	1
BR 9	COPPER WASHER	1	BR 72	BUSHING	1
BR 10	VALVE BODY	1	BR 73	ROLLER	1
BR 11	BUSHING	2	BR 74	HANDLE STAND	1
BR 12	SCREW	1	BR 75	SPRING PIN	1
BR 13	COPPER WASHER	1	BR 76	HANDLE PIN	1
BR 14	SPRING	1	BR 77	SPRING WASHER	1
BR 15	PIN	1	BR 78	ANCHOR BOLT	1
BR 16	STEEL BALL	1	BR 79	CHAIN JOINT	2
BR 17	HIGH PRESS VALVE HOUSING	1	BR 80	CHAIN	1
BR 18	COMPENSATORY SPRING	1	BR 81	RELEASE ROD	1
BR 19	O-RING	2	BR 82	SPRING PIN	1
BR 20	COPPER WASHER	2	BR 83	LEVER	1
BR 21	PIN	1	BR 84	SPRING PIN	1
BR 22	SPRING PIN	2	BR 85	NYLON ROLLER	1
BR 23	BEARING CAP	1	BR 86	RUBBER WASHER	1
BR 24	BEARING	1	BR 87	HANDLE	1
BR 25	TABLE	1	BR 88	SPRING PLATE	1
BR 26	SNAP RING	1	BR 89	SPRING PIN	2
BR 27	SPRING PIN	2	BR 90	SPRING PIN	1
BR 28	SNAP RING	2	BR 91	BRAKE LEVER	1
BR 29	BEARING	4	BR 92	SPRING PIN	1
BR 30	WHEEL	2	BR 93	PIN	1
BR 31	TURN SHAFT	2	BR 94	CABLE	1
BR 32	BRAKE	4	BR 95	SPRING	1
BR 33	BRAKE CAP	2	BR 96	PLATE	1
BR 34	SPRING PIN	2	BR 97	SPRING PIN	1
BR 35	BOLT	4	BR 98	PLATE	1
BR 36	PIN	1	BR 99	BUSHING	2
BR 37	PLATE	2	BR 100	TABLE PIN	2
BR 38	PIN	1	BR 101	LIFTING YOKE	1
BR 39	SCREW	2	BR 102	SPRING PIN	2
BR 40	WASHER	2	BR 103	BUSHING	2
BR 41	PIN	2	BR 104	ROD	2
BR 42	NUT	2	BR 105	ROD PIN	2
BR 43	SHAFT	1	BR 106	NYLON ROLLER	2

BR 44	SCREW	1	BR 107 ARM	2
BR 45	NUT	2	BR 108 LOAD WHEEL SHAFT	4
BR 46	CAM	1	BR 109 LOAD WHEEL SLEEVE	4
BR 47	RELEASE NOZZLE	1	BR 110 BEARING	8
BR 48	O-RING	1	BR 111 LOAD WHEEL	4
BR 49	SPRING	1	BR 112 V-NUT	4
BR 50	RELEASE VALVE HOUSING	1	BR 113 PLATE	4
BR 51	STEEL BALL	1	BR 114 BOLT	2
BR 52	PLUG	1	BR 115 NYLON ROLLER	2
BR 53	O-RING	1	BR 116 V-NUT	2
BR 54	PLUG	1	BR 117 CRANK SHAFT	1
BR 55	SPRING	1	BR 118 SPRING PIN	4
BR 56	VALVE	1	BR 119 ARM PIN	2
BR 57	SCREW	2	BR 120 FORK	1
BR 58	SPRING WASHER	2	BR 121 SPRING PIN	1
BR 59	OIL BOX CAP	1	BR 122 SPRING PIN	1
BR 60	OIL BOX	1	BR 123 BEARING CAP	4
BR 61	O-RING	1	BR 124 LOAD WHEEL	2
BR 62	OIL BOX PLUG	1	BR 125 LOAD WHEEL SHAFT	2
BR 63	Y-RING	1		





KOKE PALLET TRUCK WARRANTY

Koke Inc. Will guarantee this product against material or manufacturing defects provided the truck has not been abused and is used under normal conditions*.

Koke Inc. Will provide replacement components for those deemed defective by **Koke Inc.** Under the terms listed below for the following models:

Models: K55, K55M, K55-4Way

The complete hydraulic pump and handle assembly is covered for (2) years. The chassis and associated components are covered for (12) months. Wearable components such as wheels, rollers, and bushings are covered for (6) months.

Models: K80, K100, K55SS, K55-03BR

All parts and components are covered for a (6) month period.

All warranty periods begin as of the date of purchase.

This warranty does not include labor or miscellaneous costs involved in the replacement of any components determined to be defective.

In order to claim for warranty, you must supply the truck serial number, as well as the date of purchase. *Any truck used under adverse conditions, such as fish, meat or poultry processing plants, tanneries, freezer applications, or any other applications where the unit is operating in water or subjected to fluid or chemicals, is **NOT** covered under any warranty. A freezer special truck prevents the frame and components from rusting out prematurely. The hydraulic pump, all bearings, as well as bushings are still subject to condensation and therefore premature failure. Bent, twisted or misaligned forks are clear signs of abuse and are **NOT** covered under any warranty.