



# High Lifter

## *Electric & Manual Models*



**1 YEAR  
PUMP  
WARRANTY**

The manual unit is ideal for production and manufacturing lines where people are offloading product onto skids or into totes.



The electric unit offers the ergonomic benefit of push button operation. It is designed for more frequent raising and lowering.

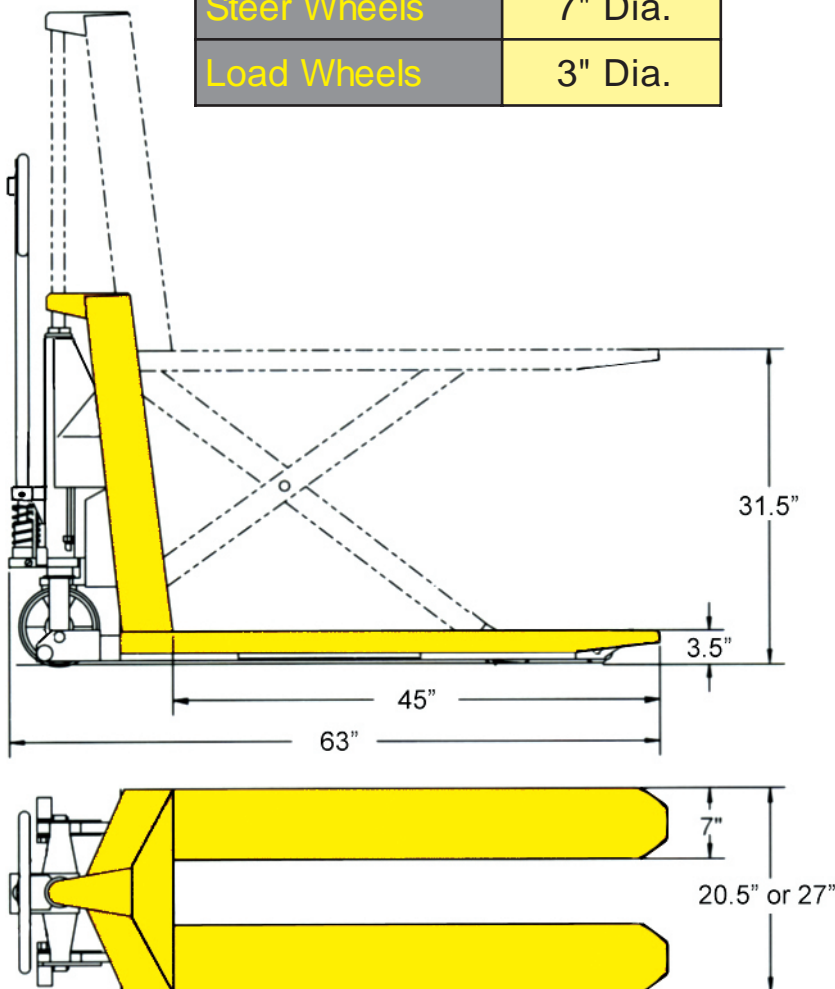
**2,500 LB.  
CAPACITY**

# Koke High Lifter

Capacity	2,500 LBS.
Lowered Height	3.5"
Raised Height	31.5"
Fork Length	45"
Fork Width	7"
Overall Width	20.5" & 27"
Overall Length	63"
Weight (Manual)	340 LBS.
Weight (Electric)	440 LBS.
Steer Wheels	7" Dia.
Load Wheels	3" Dia.



The High Lifter is a great portable lift table and work positioner



Electric unit includes 12 volt battery and built in charger. Additionally, it can be operated manually if needed