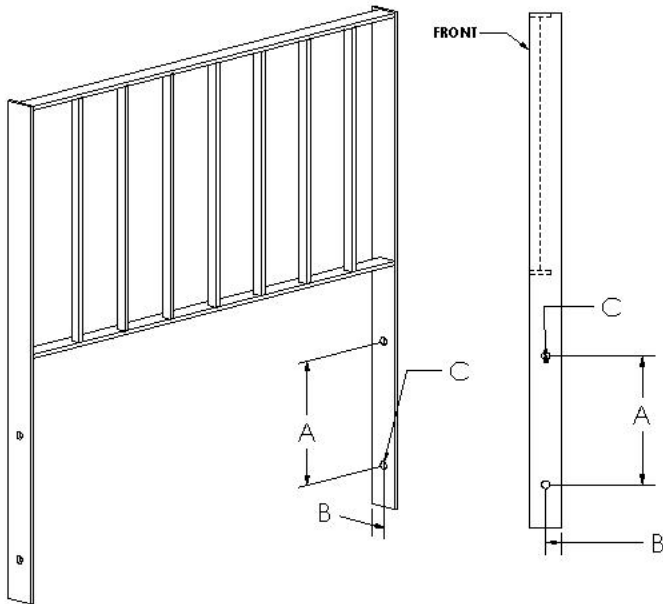


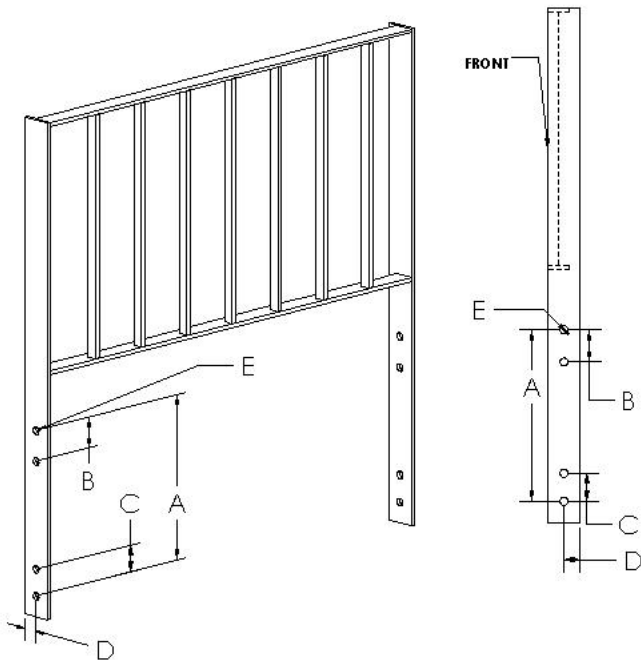
# Load Backrests Spec Sheet

## 2 HOLE MOUNT



- 1) Class of Truck (II,III,IV) \_\_\_\_\_
- 2) Carriage Width: \_\_\_\_\_
- 3) Dimension A (center to center of hole): \_\_\_\_\_
- 4) Dimension B (from back to center of hole): \_\_\_\_\_
- 5) Hole Diameter C: \_\_\_\_\_
- 6) Overall Height: \_\_\_\_\_

## 4 HOLE MOUNT



- 1) Class of Truck (II,III,IV) \_\_\_\_\_
- 2) Carriage Width: \_\_\_\_\_
- 3) Dimension A (center to center of hole): \_\_\_\_\_
- 4) Dimension B (center to center of hole): \_\_\_\_\_
- 5) Dimension C (center to center of hole) \_\_\_\_\_
- 6) Dimension D (from back to center of hole) \_\_\_\_\_
- 7) Dimension E (hole diameter) \_\_\_\_\_
- 8) Overall Height: \_\_\_\_\_