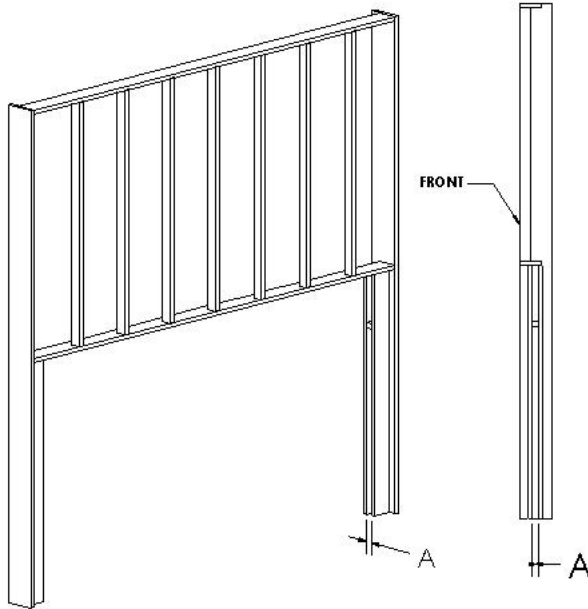


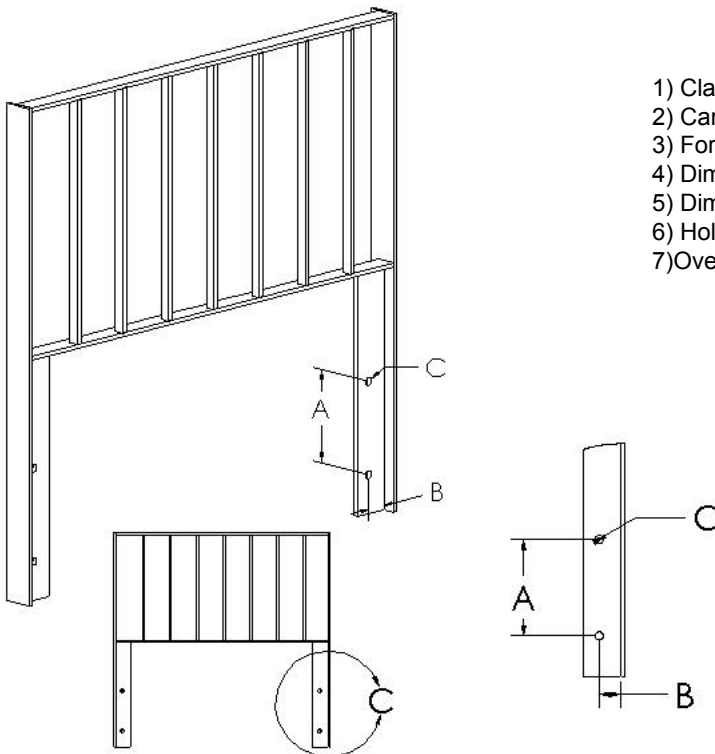
# Load Backrest Spec Sheet

## SLIP-ON MOUNT



- 1) Class of Truck (II,III,IV) \_\_\_\_\_
- 2) Carriage Width: \_\_\_\_\_
- 3) Carriage Thickness: \_\_\_\_\_
- 4) Fork Thickness : \_\_\_\_\_
- 5) Overall Height: \_\_\_\_\_

## FACE MOUNT



- 1) Class of Truck (II,III,IV) \_\_\_\_\_
- 2) Carriage Width: \_\_\_\_\_
- 3) Fork Thickness : \_\_\_\_\_
- 4) Dimension A (center to center of hole): \_\_\_\_\_
- 5) Dimension B (edge to center of hole) \_\_\_\_\_
- 6) Hole Diameter C \_\_\_\_\_
- 7) Overall Height: \_\_\_\_\_