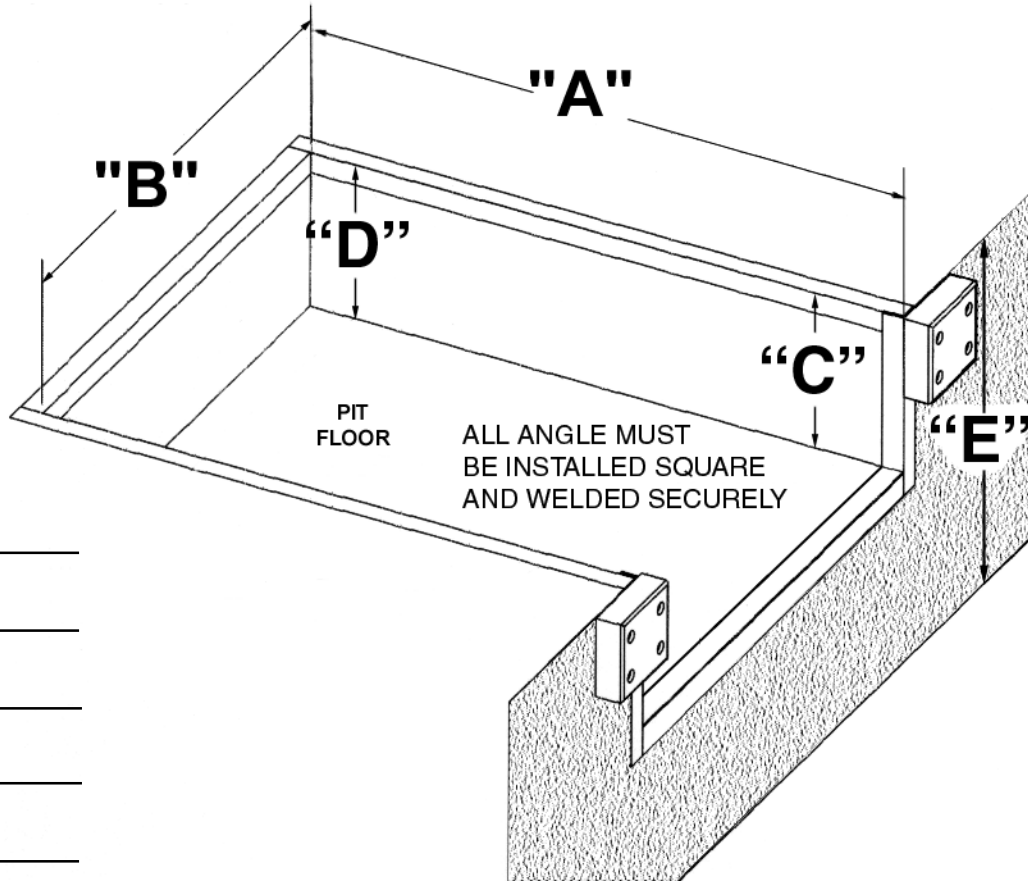




# REPLACEMENT DOCK LEVELER PIT DETAILS



A= \_\_\_\_\_

B= \_\_\_\_\_

C= \_\_\_\_\_

D= \_\_\_\_\_

E= \_\_\_\_\_

CAPACITY: \_\_\_\_\_

VOLTAGE: \_\_\_\_\_

LIP SIZE: 16"  18"  20"

AUTO RETURN TO CROSS TRAFFIC: YES  NO

WEATHER SEALS: YES  NO

TELESCOPING TOE GUARDS: YES  NO

BUMPERS REQUIRED: YES  NO

COMPANY: \_\_\_\_\_

PHONE: \_\_\_\_\_

CONTACT: \_\_\_\_\_

FAX: \_\_\_\_\_