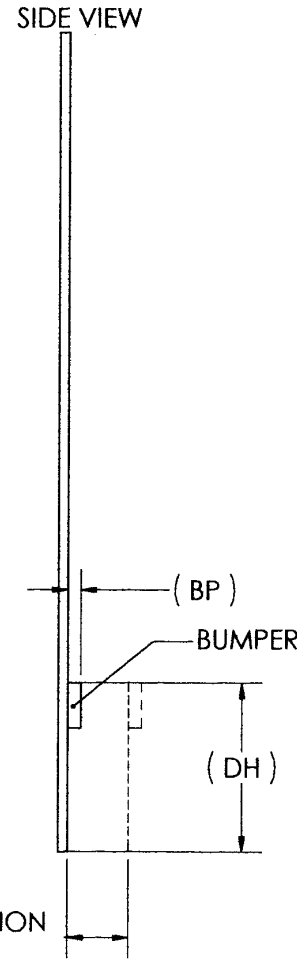
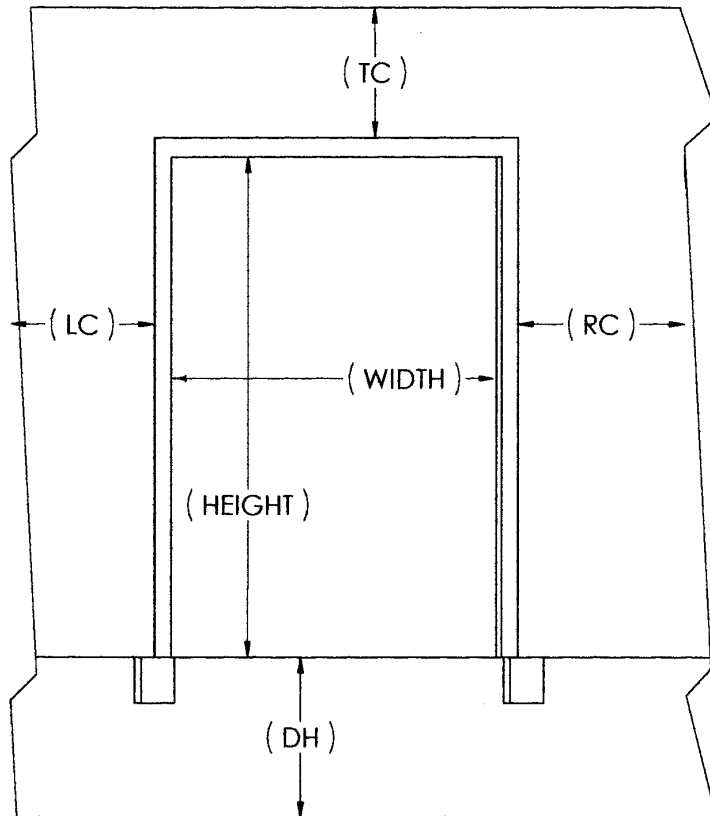


DOOR SEAL SPECIFICATION WORKSHEET



HEIGHT OF DOOR (H): _____

WIDTH OF DOOR (W): _____

DOCK HEIGHT (DH): _____

DOCK PROJECTION FROM BUILDING (IF ANY): _____

BUMPER PROJECTION (BP): _____

CLEARANCE ABOVE DOOR (TC): _____

CLEARANCE - LEFT OF DOOR (LC): _____

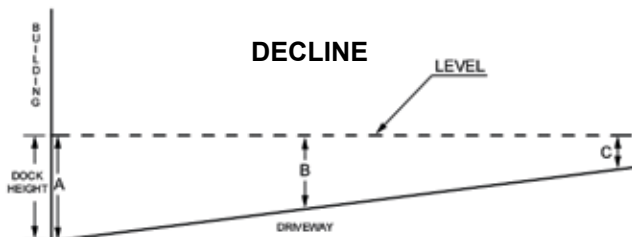
CLEARANCE - RIGHT OF DOOR (RC): _____

APPROX. NUMBER OF TRUCKS PER DAY: _____

APPROACH IS: LEVEL - INCLINED* - DECLINED*
(CIRCLE ONE)

*IF APPROACH IS INCLINED OR DECLINED, FILL OUT INFORMATION BELOW.

A(0FT)= _____ B(20FT)= _____ C(40FT)= _____



A(0FT)= _____ B(20FT)= _____ C(40FT)= _____

