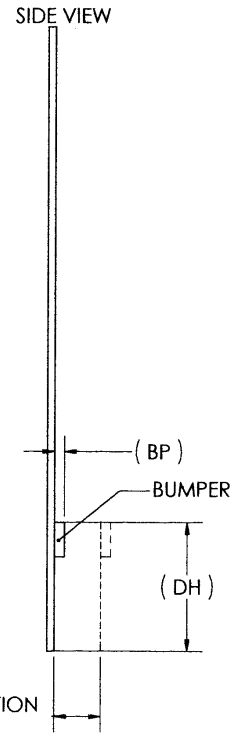
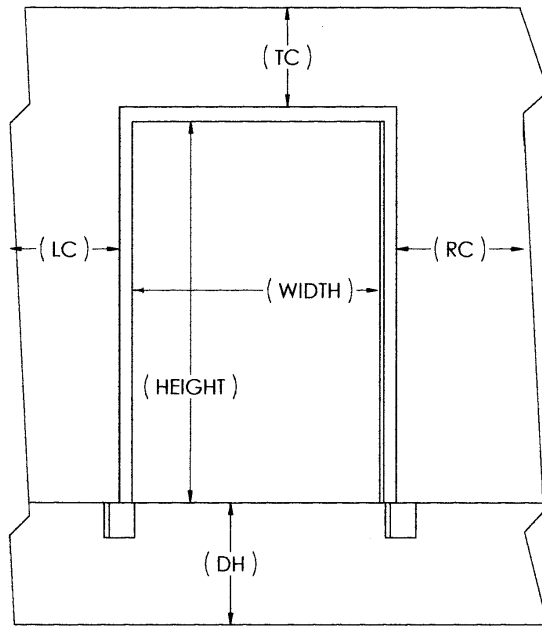




DOOR SEAL / DOCK SHELTER SPECIFICATIONS



HEIGHT OF DOOR (H): _____

WIDTH OF DOOR (W): _____

DOCK HEIGHT (DH): _____

DOCK PROJECTION (IF ANY)(DP): _____

BUMPER PROJECTION (BP): _____

CLEARANCE ABOVE DOOR (TC): _____

CLEARANCE - LEFT OF DOOR (LC): _____

CLEARANCE - RIGHT OF DOOR (RC): _____

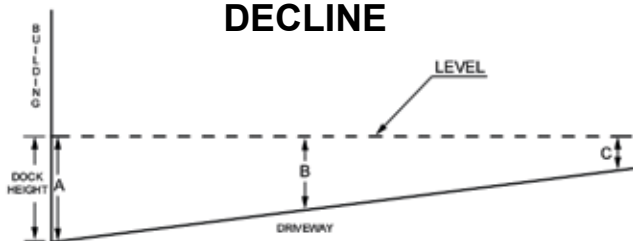
APPROX NUMBER OF TRUCKS PER DAY: _____

APPROACH IS: LEVEL INCLINED* DECLINED*

*IF INCLINED OR DECLINED, FILL OUT INFORMATION BELOW.

A(0FT)=_____ B(20FT)=_____ C(40FT)_____

DECLINE



A(0FT)=_____ B(20FT)=_____ C(40FT)_____

INCLINE

