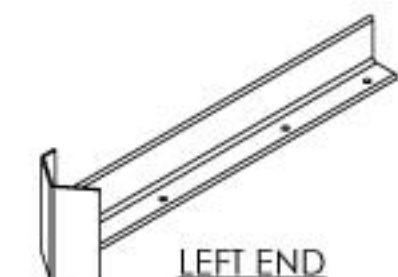
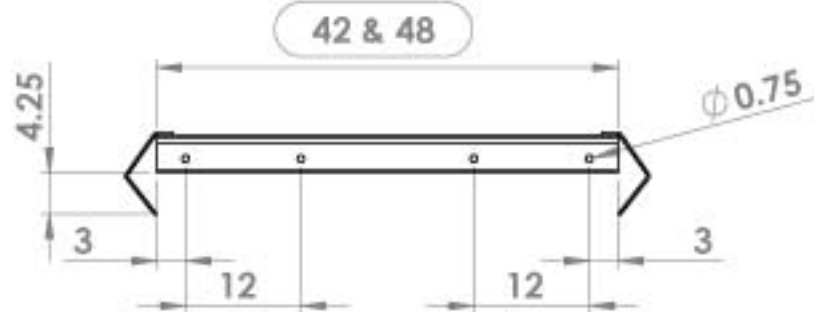
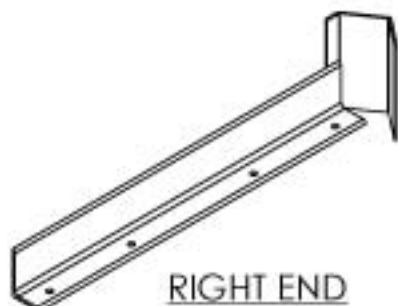


NOTE: ADD 3" FOR EACH END CAP TO CALCULATE OVER ALL LENGTH



RACK GUARD PROTECTOR
HEAVY DUTY SERIES

PROPRIETARY AND CONFIDENTIAL
THE INFORMATION CONTAINED IN THIS DRAWING IS THE SOLE PROPERTY OF KOKE INC. ANY REPRODUCTION IN PART OR AS A WHOLE WITHOUT THE WRITTEN PERMISSION OF KOKE INC. IS PROHIBITED.

Date: 2/18/15
Drawn by: Richard Koke

Material:
STEEL

DIMENSIONS ARE IN INCHES
TOLERANCES:
FRACTIONAL: 1/16
ANGULAR: MACH: ± 5 DEG
HOLE: ± 1 DEG
TWO PLACE DECIMAL: ± .05
THREE PLACE DECIMAL: ± .005

KOKE INC.
Drawing # **KRG-HD**
REV: REV DATE:
A