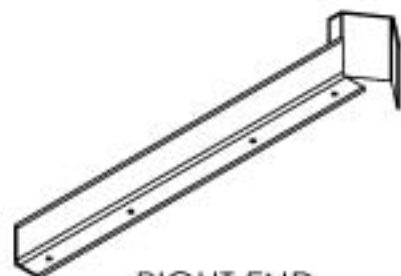
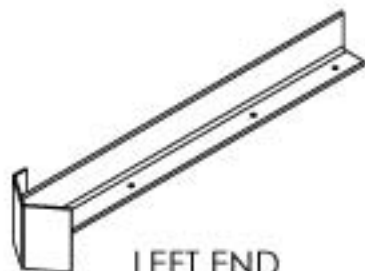


DOUBLE END



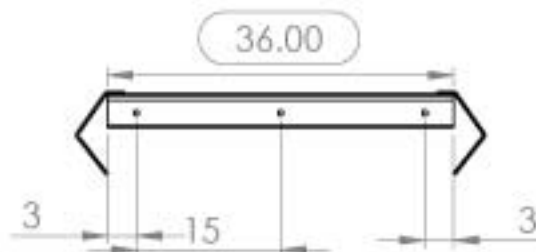
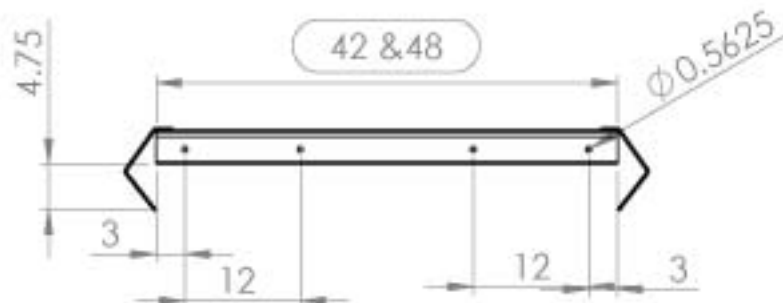
RIGHT END



LEFT END



NOTE: ADD 3" FOR EACH END CAP TO CALCULATE OVERALL LENGTH



RACK GUARD PROTECTORS
LIGHT DUTY STYLE

DIMENSIONS ARE IN INCHES

TOLERANCES:
FRACTIONAL: 1/16
ANGULAR: MACH: ± 5 DEG
HEND: ± 1 DEG
TWO PLACE DECIMAL: ± .05
THREE PLACE DECIMAL: ± .005

KOKE INC.

Drawing # **KRG-LD**

REV: REV DATE:

Rev **A**

PROPRIETARY AND CONFIDENTIAL

Date: 2/18/15

Material:

Drawn by: RICHARD KOKE

STEEL

THE INFORMATION CONTAINED IN THIS DRAWING IS THE SOLE PROPERTY OF KOKE INC. ANY REPRODUCTION IN PART OR AS A WHOLE WITHOUT THE WRITTEN PERMISSION OF KOKE INC. IS PROHIBITED.