



PH: (800) 535-5303
 FX: (888) 231-5521
 sales@kokeinc.com

SHAFT MOUNT FORKS

FOR PRICING, FILL OUT SPECS BELOW AND CALL OFFICE

W= _____ TAPER: STD or FTP

T= _____

L= _____

H= _____

O.D.= _____

I.D.= _____

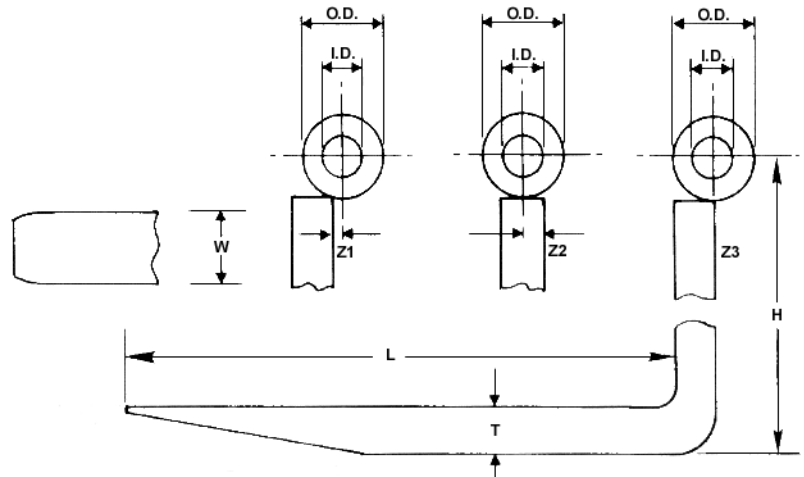
Z1= _____ OFFSET

or

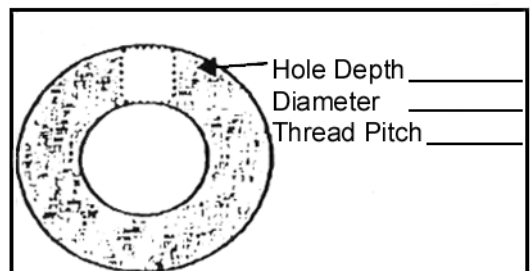
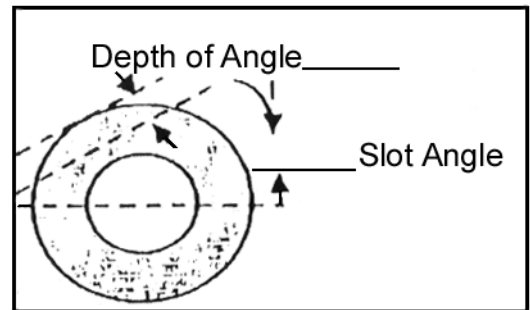
Z2= _____ INSET

or

Z3= 0" INLINE



IF TUBE HAS A NOTCH OR HOLE, FILL OUT ADDITIONAL SPECS ON RIGHT.



NAME: _____

COMPANY: _____

PH: _____

FX: _____

EMAIL: _____