

YARDRAMP



OWNER'S MANUAL



SPECIFICATIONS

| | |
|----------|--|
| Date | |
| Customer | |
| Model | |
| Capacity | |
| Voltage | |
| Serial # | |
| Option | |
| Option | |
| Option | |
| Option | |

Warranty

Koke Inc. warrants its steel yardramp to be free from structural defects in materials and workmanship for a period of (2) years. The hydraulic pump is warranted for a period of (1) year and all cylinders, hoses and fittings are warranted for a period of (6) months.

This warranty covers components used under normal and proper use. Koke Inc. will replace, repair or upgrade any part found to be defective. This warranty will cover parts, labor and freight charges related to its warranty.

Koke Inc. must approve all warranty claims prior to work being performed. If the product is found to be damaged due to abuse, negligence, accident or over capacity, the warranty becomes null and void.

UNLOADING INSTRUCTIONS

2 Forklifts with a capacity of 4000lbs. or greater are needed to unload a yardramp.

- 1) Place each truck on either side of yard sitting on flatbed
- 2) Position truck in center of yard ramp so that forks are located near wheel assembly. This is approximately the balancing point.
- 3) Slide forks under side frame only. Do not slide forks in too far or damage may occur to hydraulics and cylinders.
- 4) Lift both trucks simultaneously until wheels are off flatbed.
- 5) have flatbed pulled out from under the yardramp
- 6) Carefully and slowly, lower yardramp evenly to the ground.

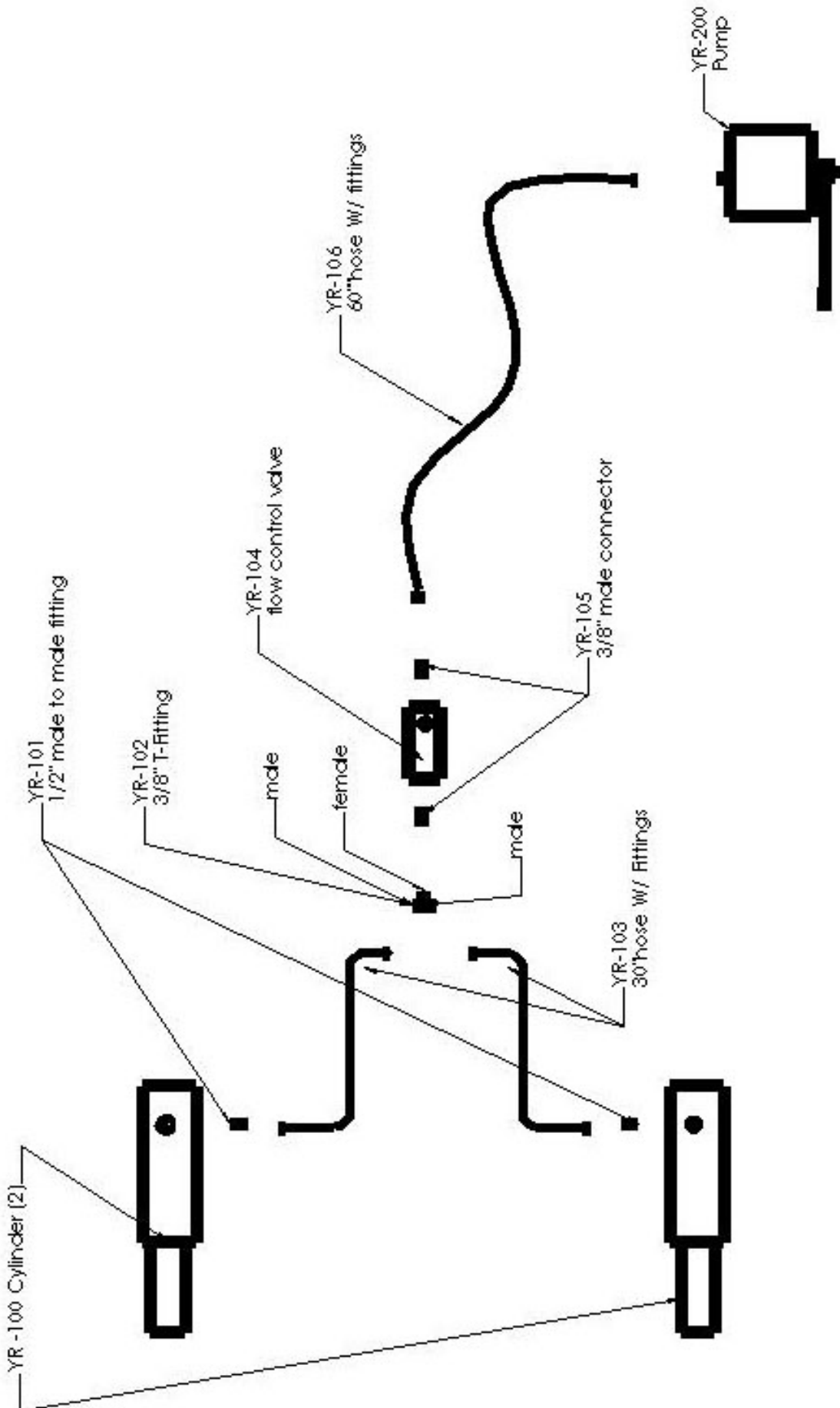
Note: Pump valve is open during transportation. Close valve when unit is off flatbed trailer. Pump can be used to raise yardramp to desired height.

OPERATING INSTRUCTIONS

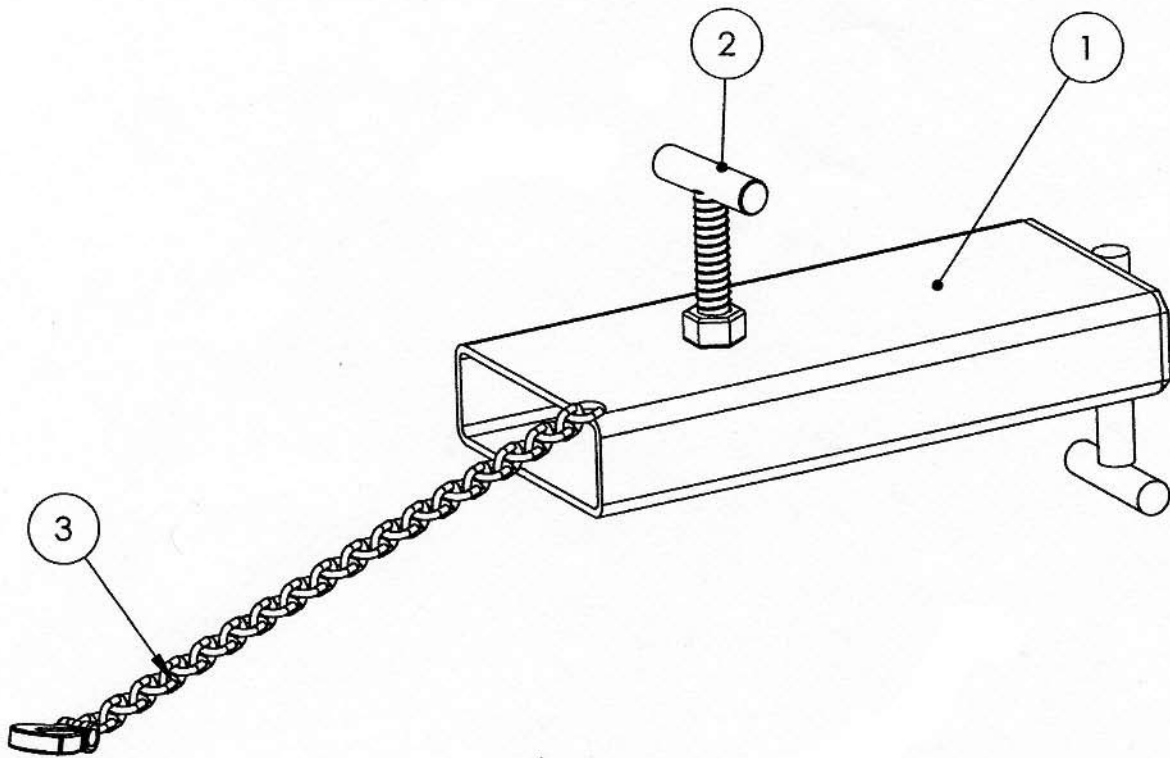
- 1) Use the fork positioner or optional tow bar at the bottom end of the yardramp to transport ramp by means of forklift truck to desired location. DO NOT TRAVEL AT SPEEDS OVER 5MPH.
- 2) Hydraulic pump is located in middle of yardramp on the side. Tighten the bleed valve on the pump by turning valve clockwise. Remove handle from its storage compartment and insert handle into socket on pump.
- 3) TRUCK/TRAILER APPLICATION: With a back and forth motion of the handle, raise the front end of the yardramp until it is above the trailer bed. Back trailer up until bed of trailer is under the lip of the ramp. Turn valve counter clockwise until lip rests on trailer bed. Use load binders to secure ramp to trailer. This procedure can be used for rail car applications as well.
- 4) DOCK APPLICATIONS: With a back and forth motion of the handle, raise the front end of the yardramp until lip is above the dock. Turn valve counter clockwise until lip rests on dock.
- 5) Leave the bleed valve open while using yardramp. This will allow the undercarriage to "float" with the ramp while it is in use.
- 6) Do not use go over 5mph when traveling up or down yardramp.
- 7) Inspect yardramp surface before and after using. Surface must be clean from debris, ice and snow before using.

PARTS MANUAL

| Part # | Description | Qty Required |
|---------|-------------------------------|--------------|
| YR-100 | Cylinder | 2 |
| YR-101 | Male to Male Fitting | 2 |
| YR-102 | 3/8" T-fitting | 1 |
| YR-103 | 30" hose with fittings | 2 |
| YR-104 | 3/8" NPT flow control valve | 1 |
| YR-105 | Male Connector | 2 |
| YR-106 | 60" hose with fittings | 1 |
| YR-200 | Hydraulic pump w/handle | 1 |
| YR-302 | 18" Cushion Tire & Wheel Assy | 2 |
| YR302A | Hub Assembly | 2 |
| YR-302B | Nut & Bolt | 10 |
| YR-403 | Ramp Positioner Complete | 1 |
| YR-403A | T-handle | 1 |
| YR-403B | Safety Chain | 1 |

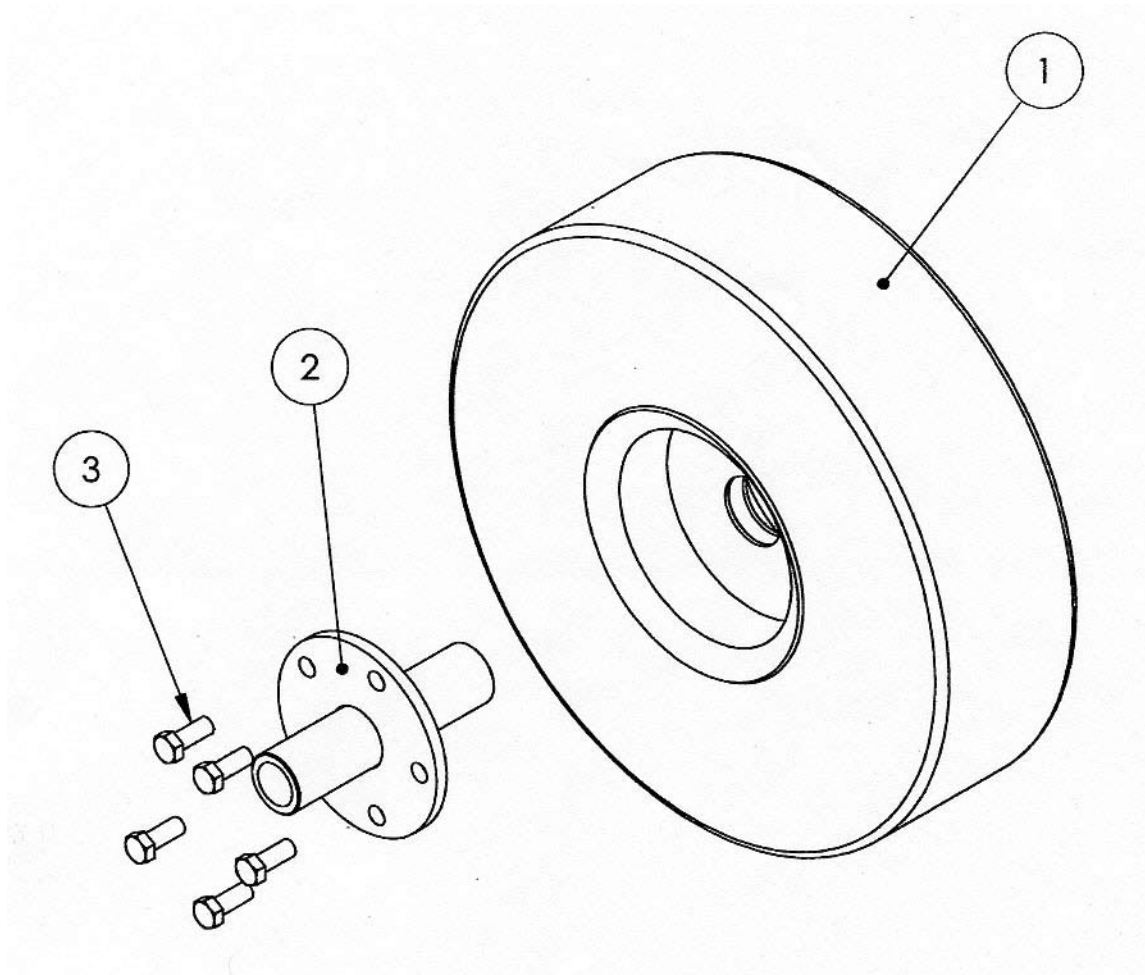


RAMP POSITIONER



| Item # | Part # | Description | Qty Required |
|--------|---------|--------------------------|--------------|
| 1 | YR-403 | Complete Ramp Positioner | 1 |
| 2 | YR-403A | T-Handle | 1 |
| 3 | TR-403B | Safety Chain | 1 |

Wheel Assembly



| Item # | Part # | Description | Qty Required |
|--------|---------|------------------|--------------|
| 1 | YR-302 | 18" Cushion Tire | 2 |
| 2 | YR-302A | Hub Assembly | 2 |
| 3 | YR-302B | Nut & Bolt | 10 |



Koke Inc
582 Queensbury Ave
Queensbury, NY 12804
Phone: (800) 535-5303
Fax: (888) 231-5521
Web: www.kokeinc.com

Koke Inc. is constantly striving to make a better product. As a result, we reserve the right to make changes and upgrades at any time without notice.

