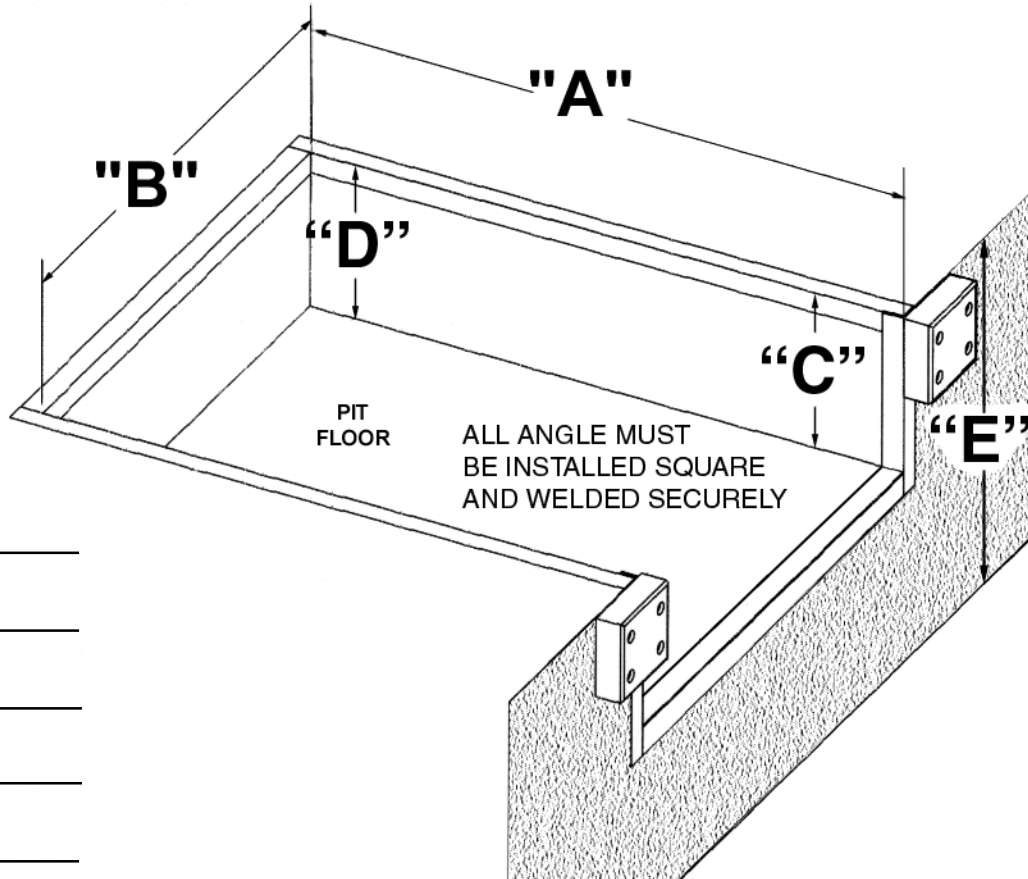




REPLACEMENT DOCK LEVELER PIT DETAILS



A= _____

B= _____

C= _____

D= _____

E= _____

CAPACITY: _____

VOLTAGE: _____

LIP SIZE: 16" 18" 20"

AUTO RETURN TO CROSS TRAFFIC: YES NO

WEATHER SEALS: YES NO

TELESCOPING TOE GUARDS: YES NO

BUMPERS REQUIRED: YES NO

COMPANY: _____

PHONE: _____

CONTACT: _____

FAX: _____