



# SNOBUCKET



- 4,000 LB. Capacity
- Heavy Duty Construction
- Pull Cord Release to Dump
- 90deg Dump Angle



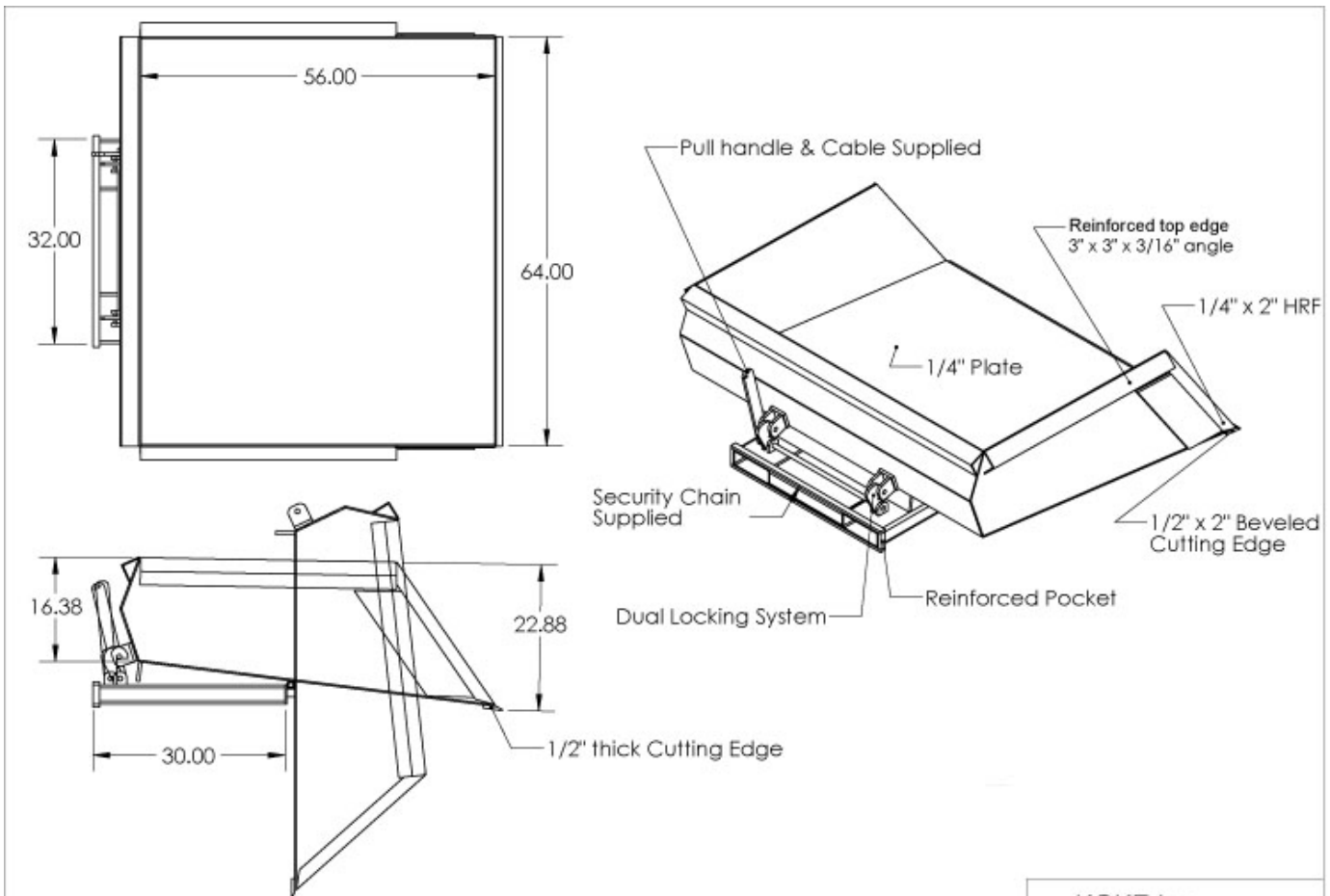
Heavy-Duty Construction including a 1/2" beveled scraping edge, 1/4" plate bottom and sides and 3"x3" angle around the top. This unit can handle snow, gravel, debris, etc.



Fork pockets made with 8" x 3" structural tubing that has a 7-1/2"W x 2-1/2"H I.D. Includes safety chain to secure unit to mast.



Dual latch mechanism with Pull-Cord release for reliable operation the first time, every time.



KOKE Inc.  
**Snobucket -4K Cap.HD**

SIZE DWG: **SBF-6456-4** REV:   
 SCALE: 1:1 WEIGHT: SHEET 1 OF 1

PROPRIETARY AND CONFIDENTIAL	MATERIAL: <b>Steel</b>	DIMENSIONS ARE IN INCHES TOLERANCES: FRACTIONAL ±1/16 ANGULAR: ±0.015 deg TWO PLACE DECIMAL ±.05 THREE PLACE DECIMAL ±.005
THE INFORMATION CONTAINED IN THIS DRAWING IS THE SOLE PROPERTY OF KOKE INC. ANY REPRODUCTION IN PART OR AS A WHOLE WITHOUT THE WRITTEN PERMISSION OF KOKE INC IS PROHIBITED.	DRAWN BY: <b>Richard Koke</b> DATE: <b>12/3/14</b>	