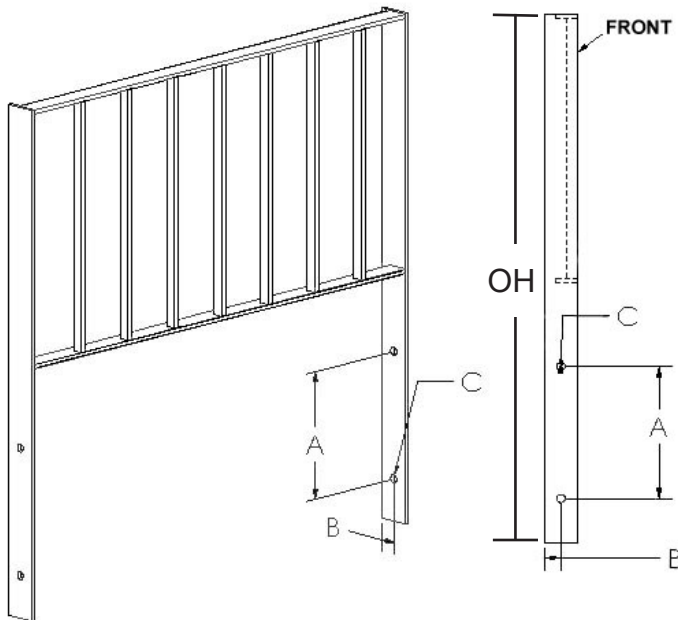




LOAD BACKREST SPECIFICATIONS

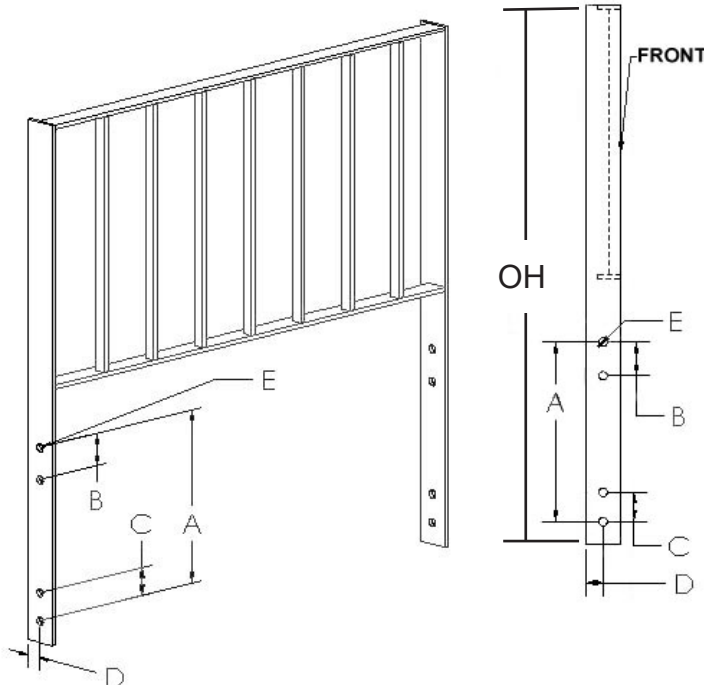
2 & 4 HOLE MOUNTING PATTERNS

2 HOLE MOUNT



1. Class of Carriage (II, III, IV): _____
2. Carriage Width: _____
3. Dim. A (center to center of hole): _____
4. Dim. B (from back to center of hole): _____
5. Dim. C (diameter of hole): _____
6. Overall Height (OH): _____

4 HOLE MOUNT



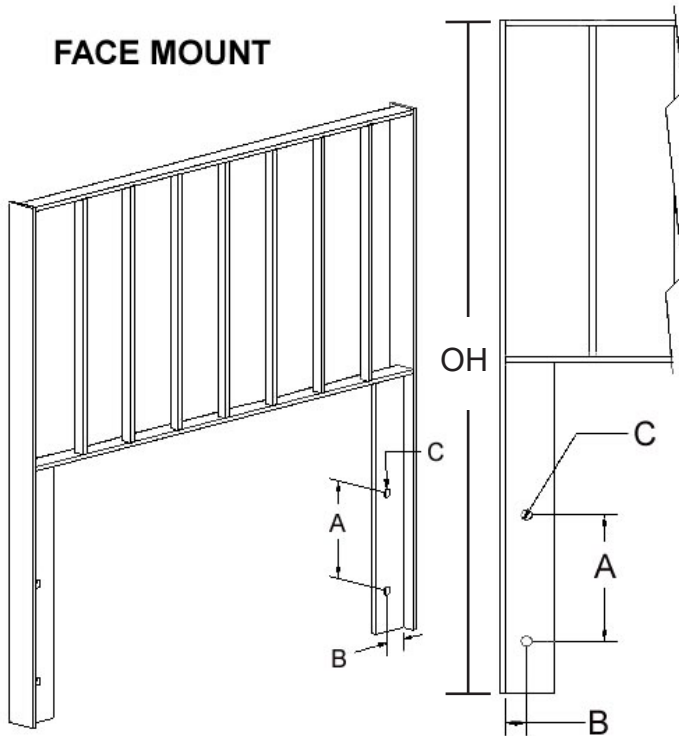
1. Class of Carriage (II, III, IV): _____
2. Carriage Width: _____
3. Dim. A (center to center of hole): _____
4. Dim. B (center to center of hole): _____
5. Dim. C (center to center of hole): _____
6. Dim. D (from back to center of hole): _____
7. Dim. E (diameter of hole): _____
8. Overall Height (OH): _____



LOAD BACKREST SPECIFICATIONS

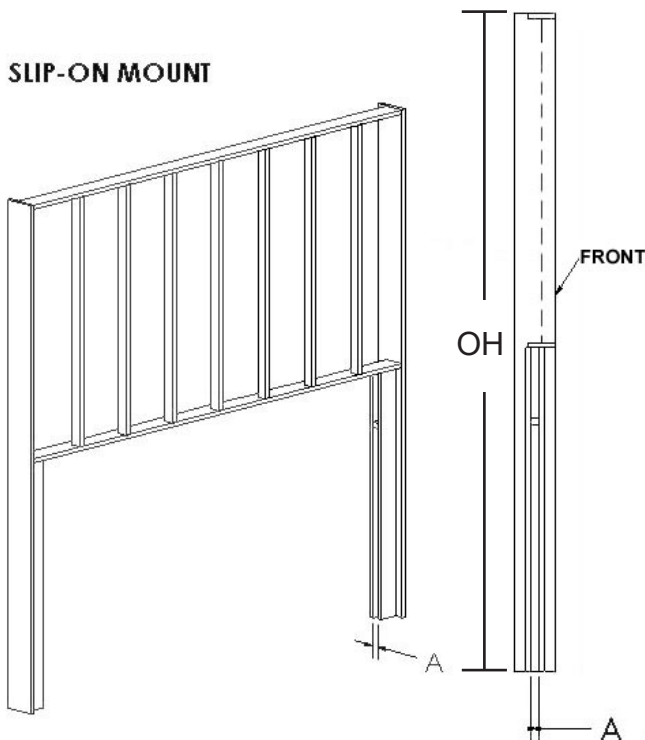
FACE & SLIP-ON MOUNTING PATTERNS

FACE MOUNT



1. Class of Carriage (II, III, IV): _____
2. Carriage Width: _____
3. Fork Thickness: _____
4. Dim. A (center to center of hole): _____
5. Dim. B (from edge to center of hole): _____
6. Dim. C (diameter of hole): _____
7. Overall Height (OH): _____

SLIP-ON MOUNT



1. Class of Carriage (II, III, IV): _____
2. Carriage Width: _____
3. Dim. A (Carriage Thickness): _____
4. Fork Thickness: _____
5. Overall Height (OH): _____